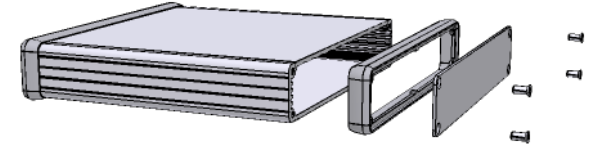


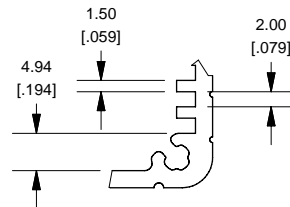
Extrusion



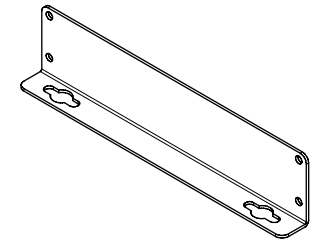
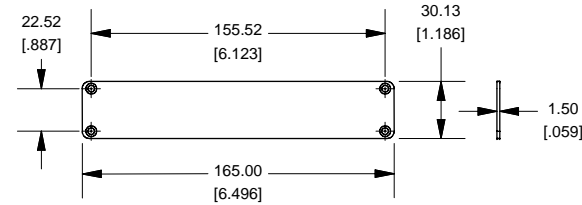
EXTRUSION DESIGNED FOR 160MM WIDE PC BOARD



Slot Details



End Plate



OPTIONAL FLANGE END PANELS 1455RF

Enclosures can be Factory Modified (Milling, Drilling, Printing etc.)
Solid models of this enclosure available in STEP or IGES.
Contact Factory mjm@hammondmfg.com

NOTE

Purchased assembly includes box, plastic bezels, end panels, #6 Taptight screws and self adhesive rubber feet.
Box made from Extruded Aluminum 6063.
Bezels made with polycarbonate.

1455R1601

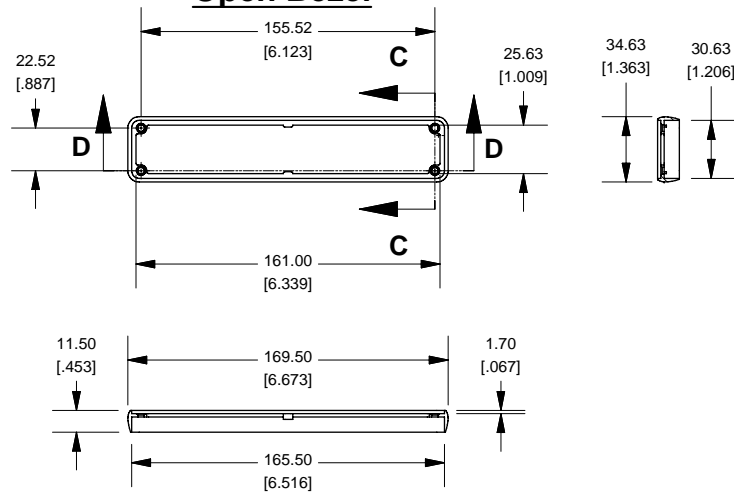
PART NUMBERS

Clear Anodized	1455R1601
Black Anodized	1455R1601BK

ACCESSORIES

See website for accessories.

Open Bezel



**HAMMOND
MANUFACTURING™**

1455R1601

www.hammondmfg.com